




The Lomond is a rugged, flameproof T8 fluorescent luminaire. It features an integrated mounting channel for universal installation. The aluminium and glass construction make the Lomond highly resistant to aggressive chemical agents.

The luminaire is available in single and twin lamp versions including an eight watt version for over door emergency exit marking.

Standard Specification

Features

Type of Protection	Ex d (flameproof), Ex dm (flameproof encapsulation) emergency version
ATEX Classification	Group II Category 2 GD
Area Classification	Zone 1 and 21 areas to EN 60079-10-1 and EN 60079-10-2 with installation to EN 60079-14
Certificate Coding	EC Type Examination Certificate SIRA05ATEX1299X ⊕ Ex II 2 GD Ex d IIC (8W & 18W) ⊕ Ex II 2 GD Ex d IIB (36W)
Enclosure	Aluminium alloy LM6 to BS 1490 (AC44100)
Reflector/Geartray Entry	Borosilicate glass overtube, painted steel reflector 2 x M20 cable entries
Termination	3 core 4mm ² max. conductor with looping 4 core 4mm ² max connectors on emergency
Installation	Via steel support rail
Control Gear	High Frequency
Relamping	Two socket head screws and tapered spigotted flamepath
Burning Position	Universal
Ingress Protection	Ingress protection to IP66, IP67 and IP68
Electrical Supply	Non Emergency: 120V - 254V 50/60Hz (18W) 110V - 130V 50/60Hz (36W - /120) 220V - 254V 50/60Hz (36W, 58W) Emergency: 220V - 254V 50/60Hz (18W, 36W, 58W) 110V - 130V 50/60Hz (18W, 36W - /120)
Emergency Duration	3 hours

Quick lamp start, flicker free
High frequency electronic control gear
Cool running improves T-rating
Standard support channel allows for multiple fixing centres and options
Suitable for high ambient areas
Optional Exit Sign Kit for Emergency Escape Route Lighting


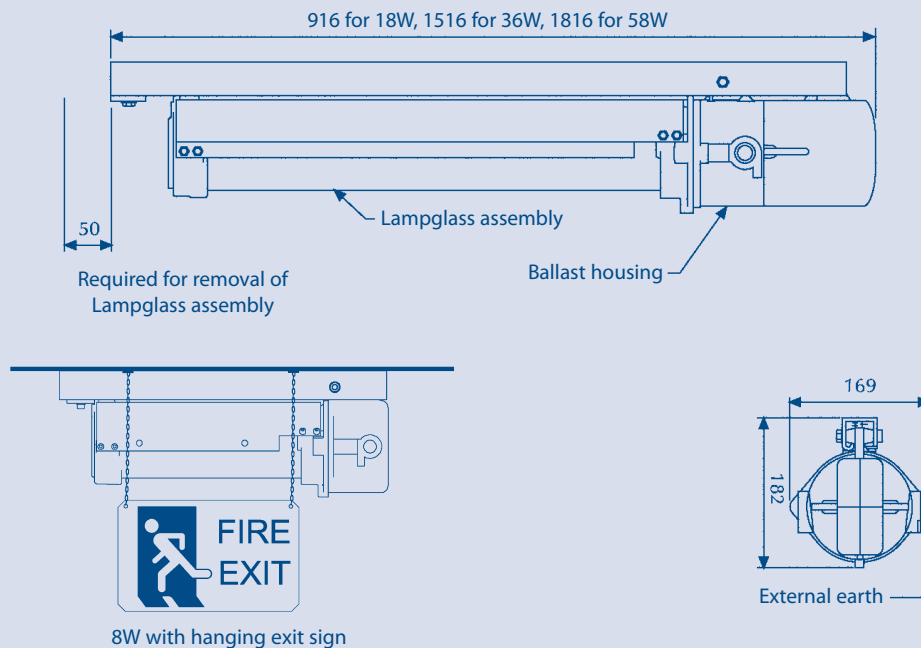
International Approvals

ATEX and GOST

Std. Cat No.	Wattage	Lamp	TClass	T°C (Dust)	Ambient °C	Weight
LOMD/108/BI	1x8W	T5	T6	85	-20 to +55	5.0kg
LOMD/208/BI	2x8W	T5	T6	85	-20 to +55	5.5kg
LOMD/218/BI	2x18W	T8	T6	85	-20 to +55	9.0kg
LOMD/136/BI	1x36W	T8	T6	85	-20 to +53	13.0kg
		T8	T5	100	-20 to +55	
LOMD/236/BI	2x36W	T8	T6	85	-20 to +53	13.0kg
		T8	T5	100	-20 to +55	
LOMD/158/BI	1x58W	T8	T6	85	-22 to +49	15.0kg
		T8	T5	100	-22 to +55	
LOMD/258/BI	2x58W	T8	T6	85	-20 to +49	15.0kg
		T8	T5	100	-20 to +55	
LOMD/108/BI/EM	1x8W	T5	T6	85	-20 to +55	10.5kg
LOMD/218/BI/EM	2x18W	T8	T6	85	-20 to +55	13.5kg
LOMD/236/BI/EM	2x36W	T8	T5	100	-20 to +52	20.0kg
		T8	T6	85	-20 to +55	
LOMD/258/BI/EM	2x58W	T8	T5	100	-20 to +48	22.3kg

Options – Suffix to Catalogue No.

/M25	M25 cable entries	/IIC	Suitable for IIC gas areas (8W and 18W only)
/SR	Stainless steel support rail	/120	110 - 130V supply
/NM	/Non maintained (1x8W only)		



Accessories Should be ordered separately

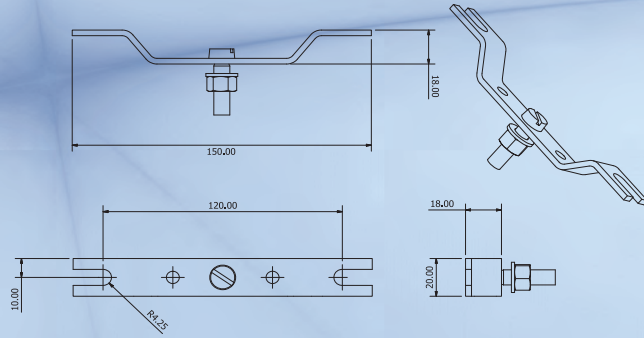
Catalogue Order Code

For details of accessories please see page 40 and 41

Product design and specifications are subject to change without notice, please check the Chalmit website for latest specifications.

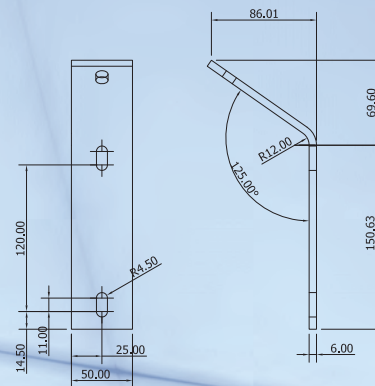
Ceiling Mounting Bracket Assembly

Cat No. SLOMD-000001



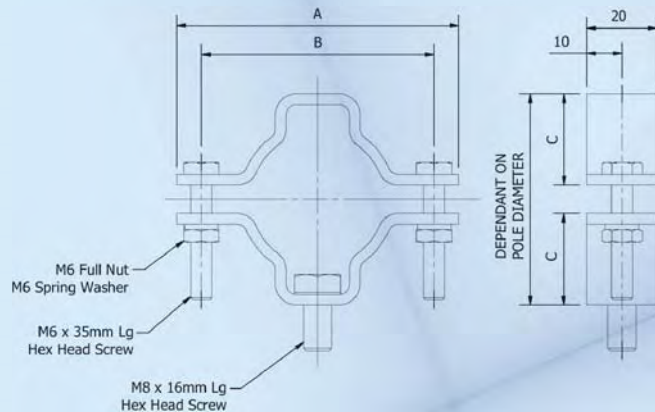
Wall Mounting Bracket Assembly

Cat No. SLOMD-000003



Pole Mounting Bracket Assembly

Cat No. SPOL4-100004/100005/100006

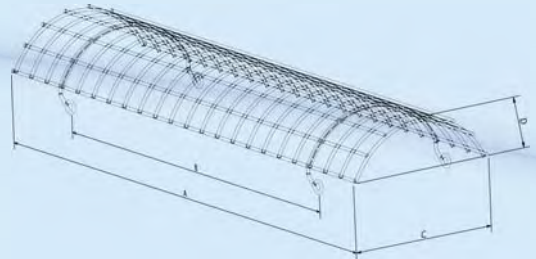
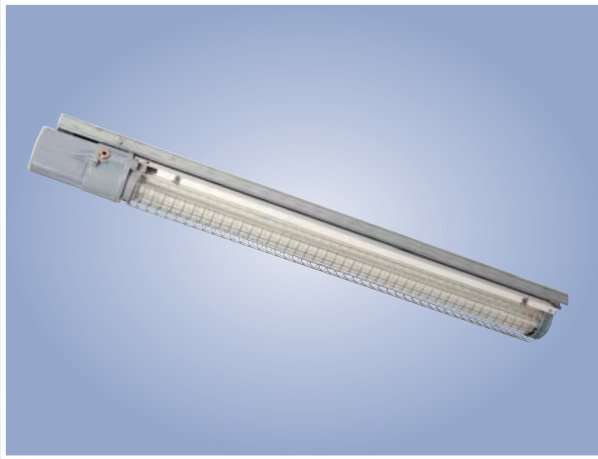


Pole mounting bracket to suit pole diameter
 (38-42mm) SPOL4-100004
 (48-52mm) SPOL4-100005
 (58-62mm) SPOL4-100006

PART DETAILS				
Part Code	Part Description	A	B	C
SPOL4-100001	POLE MTG 38-42 P/M ASSY	80mm	66mm	26mm
SPOL4-100002	POLE MTG 48-52 P/M ASSY	90mm	76mm	32mm
SPOL4-100003	POLE MTG 58-62 P/M ASSY	96mm	80mm	38mm

Wire Guard

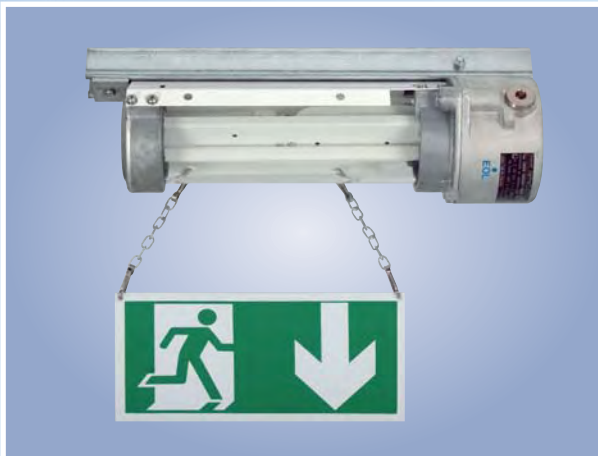
Cat No. SLOMD-000008/000009/000010



Dimension Table				
Fitting Length	Dim A	Dim B	Dim C	Dim D
8W (1ft)	282	152	146	68
18W (2ft)	562	406	146	68
36W (4ft)	1171	991	146	68
58W (5ft)	1476	1295	146	68

Hanging Exit Sign

Cat No. SPATE-00005/00006/00007/00008/00009



Self Adhesive Exit Sign Kit

Cat No. SPATE-00005

