

MICRONEX and MAXINEX

Ex n FLOODLIGHTS

80



Recommended maximum aiming angle 20°
from horizontal plane

The Maxinex is a lightweight asymmetric floodlight. Its compact design ensures low wind resistance so is ideal for high mast applications. The reflector design allows light to be thrown forward long distances whilst still lighting below the pole.

The Micronex is a compact version ideal for directional control lighting at low mounting heights such as perimeter lighting and loading areas.

Standard Specification

Features

Type of Protection	Ex nR (Restricted Breathing)	Photometrically superior asymmetric reflector design
ATEX Classification	Group II Category 3 G	
Area Classification	Zone 2 and Zone 22 areas to EN 60079-10-1 and EN 60079-10-2 with installation to EN 60079-14	Low windage of 0.08m ² (Micronex) and 0.25m ² (Maxinex)
Certificate	Maxinex: Type Examination Certificate BAS97ATEX4368 Micronex: Type Examination Certificate BAS98ATEX3054	High corrosion resistance
Coding	⊕ Ex II 3 GD Ex nR II (Maxinex) ⊕ Ex II 3 G Ex nR II (Micronex) Refer to table for T rating and Ambient	All stainless steel fasteners
Enclosure	Black epoxy painted aluminium body and frame with toughened glass window, silicone rubber gasket	Hinged front cover for easy access
Reflector Entry	Wide beam high purity anodised aluminium Maxinex: 2 x 20mm diameter holes Micronex: 1 x 20mm diameter holes	Choice of metal halide or high pressure sodium (HPS) lamps
Termination	Maxinex: 3 core 6mm ² max. conductor with looping Micronex: 3 core 6mm ² max. conductor	Suitable for low temperature applications
Installation	Stirrup mounting	Option available for Zone 22 combustible dust environments (Maxinex only)
Windage	0.029m ² (Micronex), 0.090m ² (Maxinex)	
Control Gear	Internal copper/iron ballast with ignitor and PFC correction capacitor	
Relamping	Access via front glass cover assembly secured by stainless steel screws	
Burning Position	Universal	
Ingress Protection	IP66/67 to EN 60529	
Electrical Supply	220, 230, 240, 254V 50Hz	
		International Approvals
		ATEX and GOST CEPEL (Maxinex only)
		IECEx Compliant (Maxinex only)

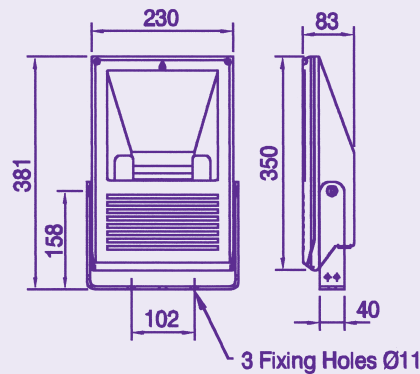
Std. Cat No.	Wattage	Lamp	Lampholder	TClass	T°C (Dust)	Ambient °C	Weight
MICN/070/MS	70W	Double Ended HPS/Metal Halide	Rx7's	T3	N/A	-30 to +40	5.9kg
MAXN/150/MS	150W	HPS/Metal Halide	E40	T4	130	-40 to +55	16.0kg
MAXN/250/MS	250W	HPS/Metal Halide	E40	T3	180	-40 to +55	17.0kg
MAXN/400/MS	400W	HPS/Metal Halide	E40	T3	200	-40 to +45 (HPS)	18.5kg
				T3	200	-40 to +30 (MH)	

Note: Please specify voltage at time of enquiry/order

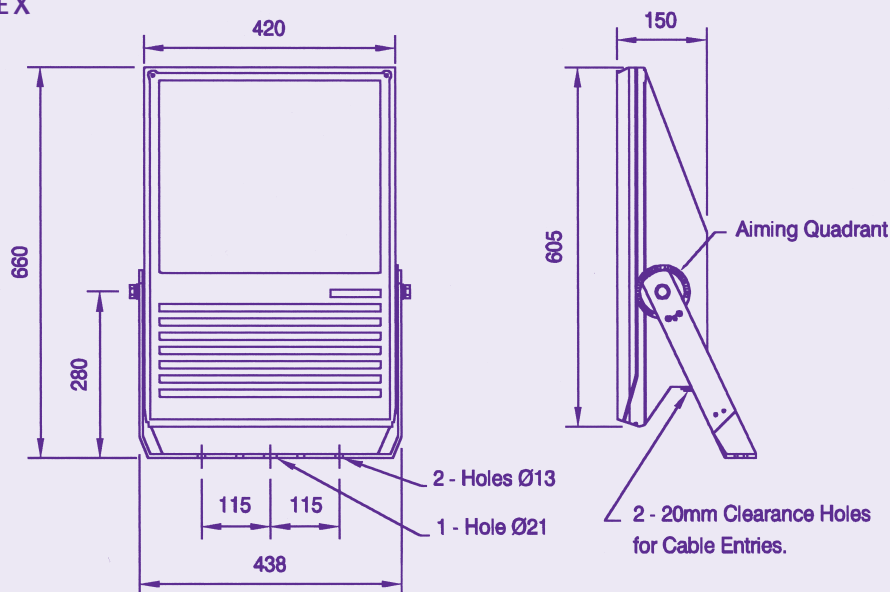
Options – Suffix to Catalogue No.

/60	60Hz	/TI	Timed ignitor (Maxinex only)
/D	Zone 2 and 22 dust applications (Maxinex only)	/IEC	Supplied with IECEx certification label

MICRONEX



MAXINEX



Accessories Should be ordered separately

Catalogue Order Code

Pole mounting bracket assembly - Micronex (48-60mm diameter poles)

SMIC1-0001

Pole mounting bracket assembly - Maxinex (48-60mm diameter poles)

SMAX4-0001



Recommended maximum aiming angle 20°
from horizontal plane

The Maxinex is a lightweight asymmetric floodlight. Its compact design ensures low wind resistance so is ideal for high mast applications. The reflector design allows light to be thrown forward long distances whilst still lighting below the pole.

The Micronex is a compact version ideal for directional control lighting at low mounting heights such as perimeter lighting and loading areas.

Standard Specification		Features
Ingress Protection	IP66/67 to BS EN60529	Lightweight
Enclosure	Aluminium body, glass lens, stainless steel fasteners	High corrosion resistance
Reflector	Wide beam high purity anodised aluminium	All stainless steel fasteners
Cable Entry	Maxinex (150W - 400W) - 2 x M20 cable entries (looping) Micronex (70W) - 1 x M20 cable entry	Hinged front cover for easy access
Termination	3 core 6mm ² conductors	High efficiency asymmetric reflector design
Installation	Via stirrup bracket, fitted as standard	Low windage of 0.08m ² (Micronex) and 0.25m ² (Maxinex)
Windage	0.029m ² (Micronex), 0.090m ² (Maxinex)	Choice of metal halide or high pressure sodium (HPS) lamps
Relamping	Via hinged front cover	Suitable for low temperature applications
Control Gear	Internal	
P F Correction	0.85 minimum	
Electrical Supply	220-254V 50Hz	

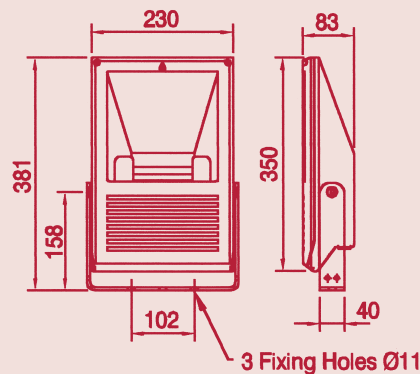
Std. Cat No.	Wattage	Lamp	Lampholder	T Class	Ambient °C	Weight
MICI/070/MS	70W	Double Ended HPS/Metal Halide	Rx7's	T3	40	5.1kg
MAXI/150/MS	150W	HPS/Metal Halide	E40	T4	55	14.5kg
MAXI/250/MS	250W	HPS/Metal Halide	E40	T3	55	15.5kg
MAXI/400/MS	400W	HPS/Metal Halide	E40	T3	45 (HPS)	17.0kg
				T3	30(MH)	

Note: Please specify voltage at time of enquiry/order

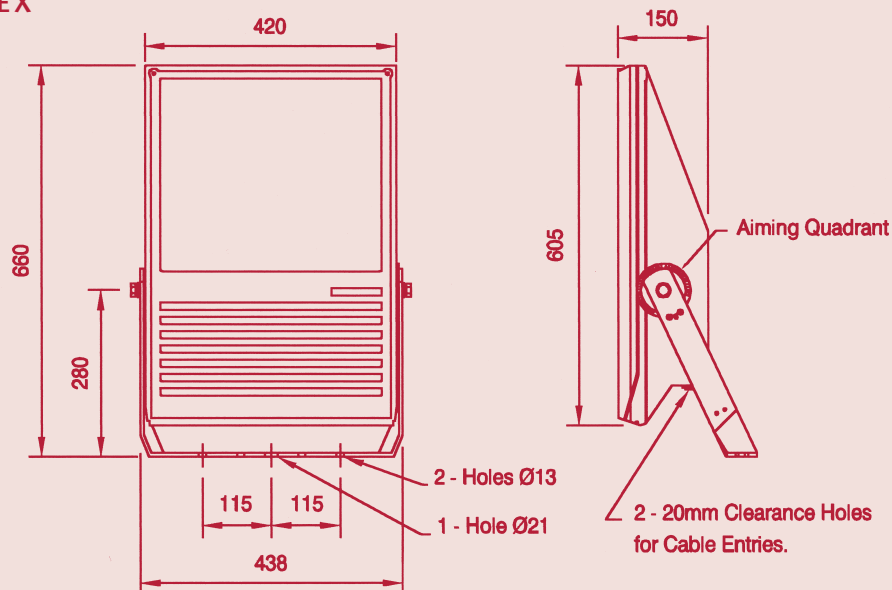
Options – Suffix to Catalogue No.

/60	60Hz	/TI	Timed ignitor (Maxinex only)
-----	------	-----	------------------------------

MICRONEX



MAXINEX



Accessories should be ordered separately

Catalogue Order Code

Pole mounting bracket - Micronex (48-60mm pole diameter)

SMIC1-0001

Pole mounting bracket - Maxinex (48-60mm pole diameter)

SMAX4-0001