



The NexLED bulkhead utilises the latest LED technology to provide instant illumination. The NexLED requires no re-lamping making it virtually maintenance free and unaffected by low temperatures. This combination makes the NexLED ideal for extreme environmental applications.

Coloured LED options are also available.



NexLED with Exit Sign kit



NexLED with green LED's

Standard Specification

Features

Type of Protection	Ex e mb (Increased Safety and Encapsulation)
ATEX Classification	Group II Category 2 GD
Area Classification	Zone 1 and Zone 21 area to EN 60079-10-1 and EN 60079-10-2 with installation to EN 60079-14
Certificate	EC Type Examination Certificate Baseefa04ATEX0245 IEC Ex BAS09.0062
Coding	⊕ II 2 GD Ex e mb IIC Refer to table for T rating and Ambient
Enclosure	Aluminium alloy LM6 to BS 1490 (AC44100) with toughened glass and silicone gasket
Reflector	Brushed aluminium
Entry	2 x M20 cable entries
Termination	3 core 4mm ² max conductor with looping
Installation	Surface mounted, 4 mounting holes located outside of seal
Light Source	1W light emitting diodes. Colour: white
Control Gear	Electronic
Burning Position	Universal
Ingress Protection	IP66/67 to EN 60529
Electrical Supply	110-254V AC (50/60Hz)/DC

Installation to gas groups IIA, IIB and IIC
Highly visible, instant light
Easy to install and maintain
Ultra long life, no relamping required
Very low power consumption

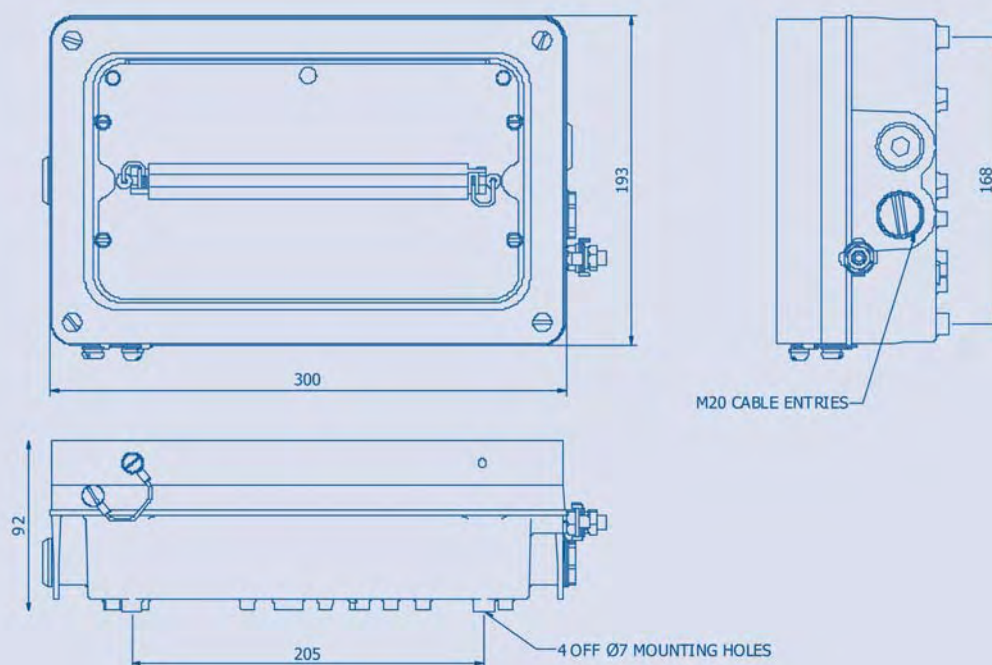
International Approvals

ATEX and GOST
IECEx Compliant

Std. Cat No.	Wattage	Light Source	TClass	T°C (Dust)	Ambient °C	Weight
NELE/201/LE	2W	Light Emitting Diode	T4	100	-45 to +55	4.0kg
NELE/801/LE	8W	Light Emitting Diode	T4	100	-45 to +55	4.1kg

Options – Suffix to Catalogue No.

/RDE	Red LED's	/ADE	Amber LED's
/GDE	Green LED's	/IEC	Supplied with IECEx certification label
/BDE	Blue LED's		



Accessories Should be ordered separately

Catalogue Order Code

Exit sign kit (supplied with - up, down, left and right labels*)

SNEL1-0008

* Other signage options available upon request, please contact technical sales (techsupport@chalmit.com)



The NexLED emergency provides emergency battery backup to ensure continued operation in the event of a power outage. The emergency version benefits from the same features as the standard NexLED and is available as a special low temperature version for operation down to -45°C.

Coloured LED options are also available.



NexLED with Exit Sign kit



NexLED with green LED's

Standard Specification

Features

Type of Protection	Ex e ib mb (Increased Safety, Intrinsically Safe Encapsulated) Dust protected enclosure
ATEX Classification	Group II Category 2 GD
Area Classification	Zone 1 and Zone 21 areas to EN 60079-10-1 and EN 60079-10-2 with installation to EN 60079-14
Certificate	EC Type Examination Certificate Baseefa04ATEX0245 IEC Ex BAS09.0062
Coding	Ⓔ II 2 GD Ex e ib mb IIC T4
Enclosure	Aluminium alloy LM6 to BS 1490 (AC44100) with toughened glass and silicone gasket
Reflector	Brushed aluminium
Entry	2 x M20 cable entries
Termination	4 core 4mm ² max conductor with looping
Installation	Surface mounted, 4 mounting holes located outside of seal
Light Source	1W light emitting diodes. Colour: white
Control Gear	Electronic
Burning Position	Universal
Ingress Protection	IP66/67 to EN 60529
Battery	Ni-Cd (6V)
Emergency Duration	8W version - 90 minutes 2W version - 3 hours
Electrical Supply	110-254V AC/DC

Installation to gas groups IIA, IIB and IIC
Highly visible, instant light
Easy to install and maintain
Ultra long life, no relamping required
Very low power consumption
100% output in emergency mode (Up to 3 hours)
Rechargeable Ni-Cd batteries with charging indication
Compatible with UPS systems

International Approvals

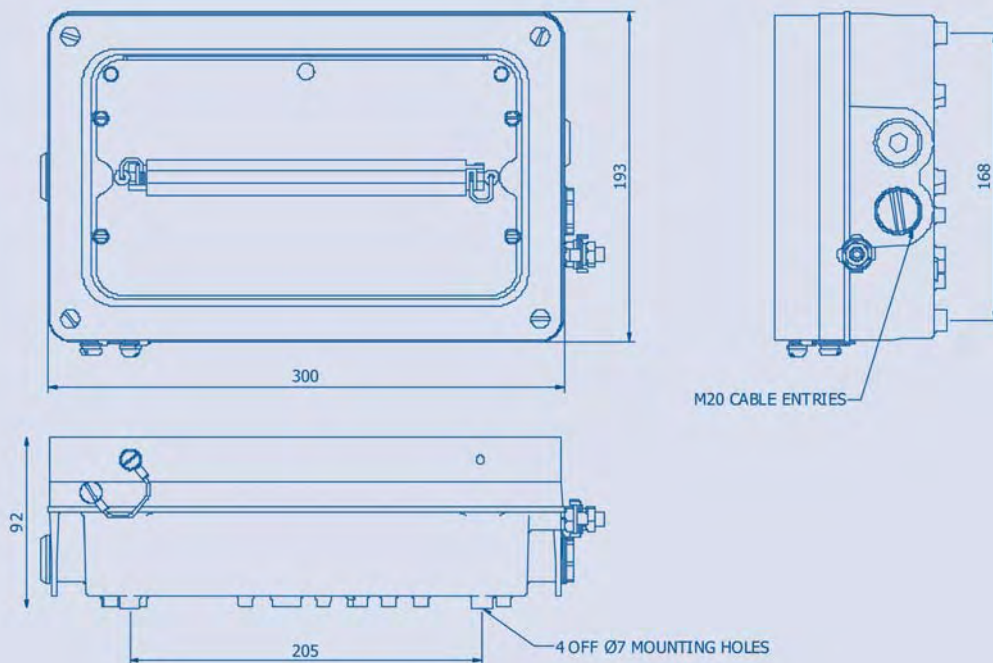
ATEX and GOST

IECEx Compliant

Std. Cat No.	Wattage	Light Source	TClass	T°C (Dust)	Ambient °C	Weight
NELE/201/LE/EM	2W	Light Emitting Diode	T4	100	-20 to +55	4.0kg
NELE/801/LE/EM	8W	Light Emitting Diode	T4	100	-20 to +55	4.1kg

Options – Suffix to Catalogue No.

/RDE	Red LED's	/ADE	Amber LED's
/GDE	Green LED's	/LT	Low temperature -45°C to +55°C
/BDE	Blue LED's	/IEC	Supplied with IECEx certification label



Accessories Should be ordered separately

Catalogue Order Code

Exit sign kit (supplied with - up, down, left and right labels*)

SNEL1-0008

* Other signage options available upon request, please contact technical sales (techsupport@chalmit.com)



The NexLED bulkhead utilises the latest LED technology to provide instant illumination. The NexLED requires no re-lamping making it virtually maintenance free and unaffected by low temperatures. This combination makes the NexLED ideal for extreme environmental applications.

Coloured LED options are also available.



NexLED with Exit Sign kit



NexLED with green LED's

Standard Specification

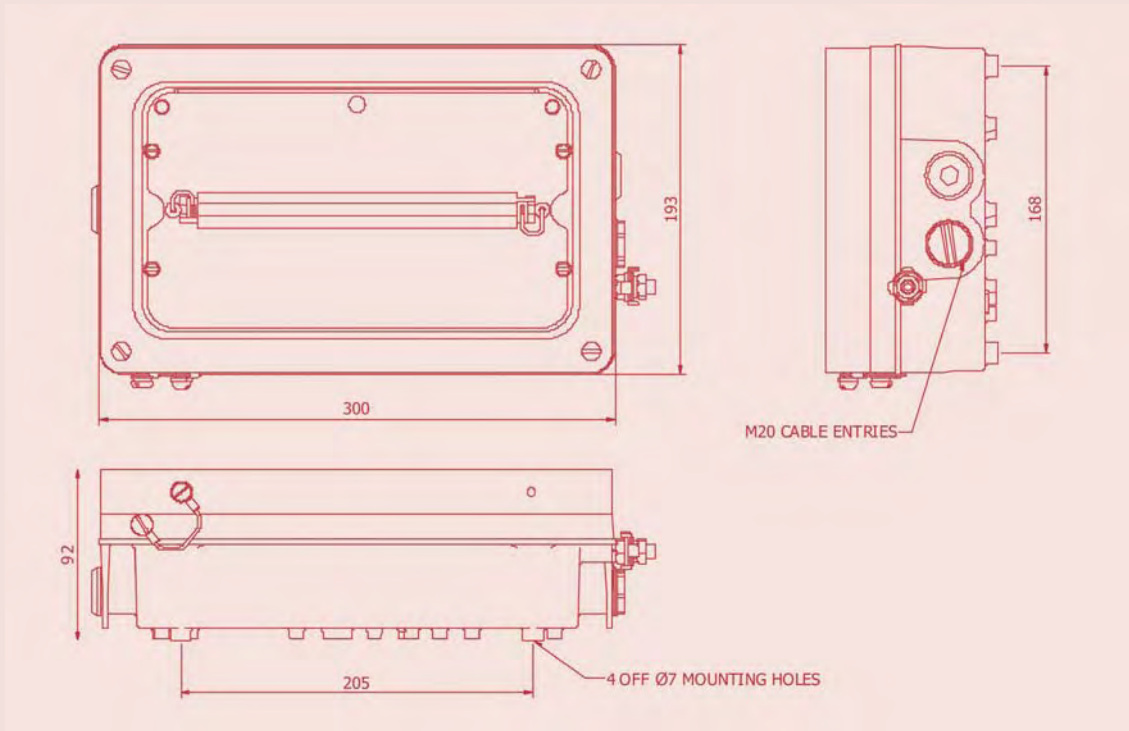
Features

Enclosure	Cast aluminium with toughened glass and silicone gasket	Highly visible, instant light
Reflector	Brushed aluminium	Easy to install and maintain
Entry	3 x M20 cable entries	Ultra long life, no relamping required
Termination	4 core 4mm ² max conductor with looping	Very low power consumption
Installation	Surface mounted, 4 mounting holes located outside of seal	100% output in emergency mode (Up to 3 hours)
Lamp Type	2 x 1W light emitting diodes or 8 x 1W light emitting diodes. Colour: white	Rechargeable Ni-mH batteries with charging indication
Control Gear	Electronic	Compatible with UPS systems
Burning Position	Universal	
Ingress Protection	IP66/67 to EN 60529	
Emergency Duration	3 hours (emergency models)	
Electrical Supply	220-240V ac/dc	

Std. Cat No.	Wattage	Lamp Type	Ambient °C	Weight
NELI/201/LE	2W	Light Emitting Diode	-20 to 45	3.5kg
NELI/801/LE	8W	Light Emitting Diode	-20 to 45	3.5kg
NELI/201/LE/EM	2W	Light Emitting Diode	-20 to 45	3.5kg
NELI/801/LE/EM	8W	Light Emitting Diode	-20 to 45	3.5kg

Options – Suffix to Catalogue No.

/RDE	Red LED's	/ADE	Amber LED's
/GDE	Green LED's	/LT	Low temperature -45°C to +45°C
/BDE	Blue LED's		



Accessories should be ordered separately

Catalogue Order Code

Green exit sign kit (4 labels - up, down, left and right)

SNEL1-0008