



The Sterling II is a high quality but cost effective T8 fluorescent. Its lightweight and slimline construction make it simple to install and maintain. The luminaire features high frequency control gear with 'End of Life' (EOL) protection.

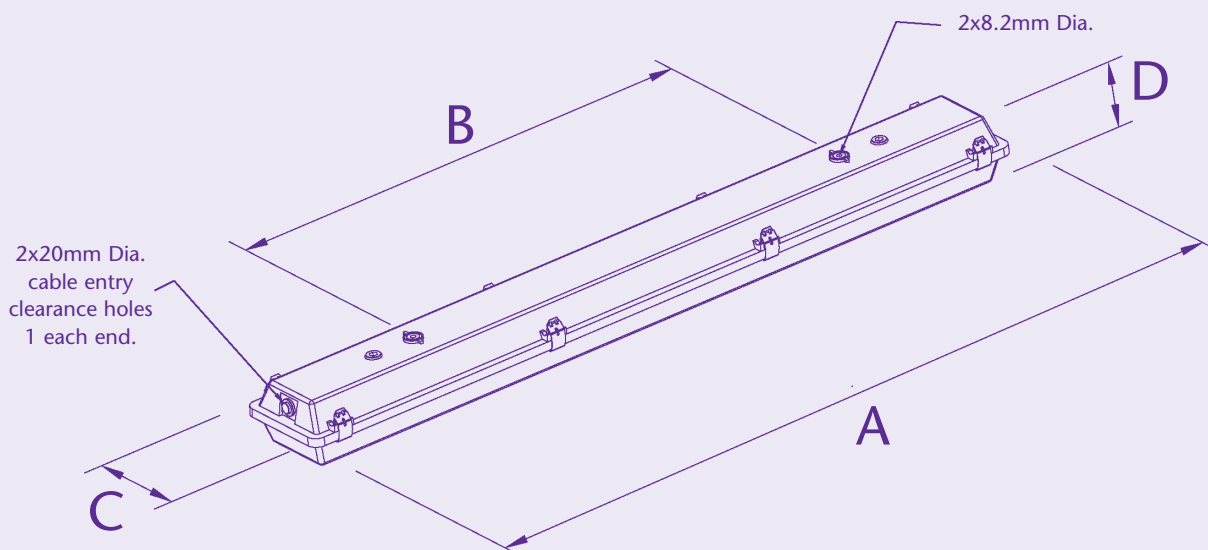
The Sterling II is available with single and twin lamp versions.

Standard Specification		Features
Type of Protection	Ex nA (Non-sparking)	Robust polycarbonate diffuser with stainless steel clips as standard
ATEX Classification	Group II Category 3 GD	
Area Classification	Zone 2 and Zone 22 areas to EN 60079-10-1 and EN 60079-10-2 with installation to EN 60079-14	Through wiring as standard
Certificate	Type Examination Certificate Sira 06ATEX4348X IEC Ex SIR 06.0108X	High frequency control gear gives 50/60Hz operation, high power factor correction and regulation of lamp output.
Coding	⊕ II 3 GD Ex nA II T4 (refer to table for T rating and Ambient)	Simple to install and maintain
Enclosure	GRP with polycarbonate diffuser and stainless steel retaining clips	Lightweight and slim line construction
Reflector	White polyester painted zinc coated steel	End of life (EOL) protected
Entry	2 x 20mm diameter holes	
Termination	4 core 4mm ² max. conductor with through wiring 16A rating	International Approvals
Installation	Two clearance holes for M8 fasteners located on rear of body, sealing washers provided	
Control Gear	High Frequency ballast	
Relamping	Access via diffuser secured by quick release stainless steel clips	
Burning Position	Universal	ATEX IECEx Compliant
Ingress Protection	IP65 to EN60529	
Electrical Supply	220-254V 50/60Hz (AC/DC)	

Std. Cat No.	Wattage	Voltage	TClass	T°(Dust)	Ambient °C	Weight
ST2N/218/BI	2x18W	220V-254V	T4	85	-20 to +45	2.6kg
ST2N/136/BI	1x36W	220V-254V	T4	85	-20 to +45	3.3kg
ST2N/236/BI	2x36W	220V-254V	T4	85	-20 to +45	3.6kg
ST2N/158/BI	1x58W	220V-254V	T4	85	-20 to +45	3.7kg
ST2N/258/BI	2x58W	220V-254V	T4	85	-20 to +45	4.1kg

Options – Suffix to Catalogue No.

/120	110-130V 50/60Hz AC (Note: Upper ambient, limit of +30°C)	/MF	Mains fuse
------	--	-----	------------



	2x18W	1x36W / 2x36W	1x58W / 2x58W
A	702	1312	1612
B	500	800	1100
C	172	102 / 172	102 / 172
D	106	106	106

Accessories Should be ordered separately

Catalogue Order Code

Pole mounting bracket assembly (38-42mm diameter poles)	SPOL4-100004
Pole mounting bracket assembly (48-52mm diameter poles)	SPOL4-100005
Pole mounting bracket assembly (58-62mm diameter poles)	SPOL4-100006
Hook type ceiling bracket assembly	S3004-100003
Ceiling bracket assembly	S3004-100001
Flush mounting wall bracket assembly	S3004-100004
18W wall mounting outreach bracket (use with SPOL4-100004)	NPRO4-0008
36W wall mounting outreach bracket (use with SPOL4-100004)	NPRO4-0012
58W wall mounting outreach bracket (use with SPOL4-100004)	NPRO4-0022



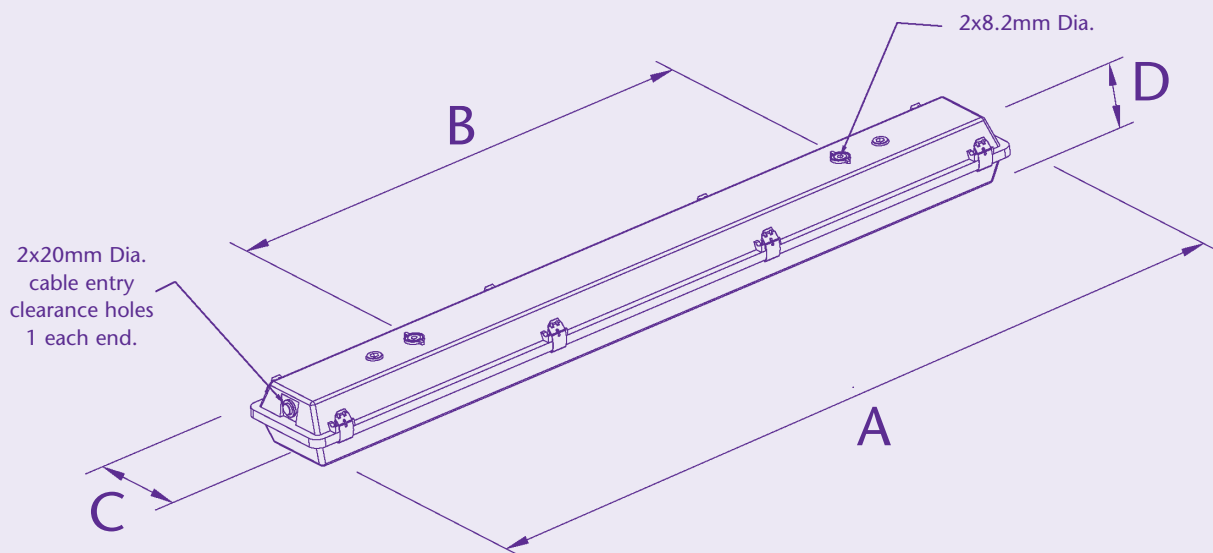
The Sterling II Emergency features the same construction and EOL protected ballast as the standard product. In addition it also provides three hours of battery backup for emergency operation in the case of a power outage.

Standard Specification		Features
Type of Protection	Ex nA (Non-sparking)	Polycarbonate diffuser
ATEX Classification	Group II Category 3 GD	Through wiring as standard
Area Classification	Zone 2 and Zone 22 areas to EN 60079-10-1 and EN 60079-10-2 with installation to EN 60079-14	High frequency control gear gives 50/60Hz operation, high power factor correction and regulation of lamp output.
Certificate	EC Type Examination Certificate Sira 06ATEX4348X IEC Ex SIR 06.0108X	Long life nickel cadmium batteries
Coding	⊕ II 3 GD Ex nA II T4 (refer to table for T rating and Ambient)	Switchable mains supply for local operation
Enclosure	GRP with polycarbonate diffuser and stainless steel retaining clips	LED charge indicator
Reflector	White polyester painted zinc coated steel	End of life (EOL) protected
Entry	2 x 20mm diameter holes, 1 at each end	
Termination	4 core 4mm ² max. conductor with through wiring 16A rating	International Approvals
Installation	Two clearance holes for M8 fasteners located on rear of body, sealing washers provided	
Control Gear	High Frequency ballast, electronic/inverter	ATEX
Relamping	Access via front diffuser secured by quick release stainless steel clips	
Burning Position	Universal	IECEx Compliant
Ingress Protection	IP65 to EN 60529	
Electrical Supply	220-254V 50/60Hz	
Battery	Ni-Cd (6V)	
Duration	3 hours	
Emergency Output	18W 32% of one lamp 36W 14% of one lamp 58W 9% of one lamp	

Std. Cat No.	Wattage	Voltage	TClass	T°(Dust)	Ambient °C	Weight
ST2N/218/BI/EM	2x18W	220V-254V	T4	85	-20 to +40	4.6kg
ST2N/136/BI/EM	1x36W	220V-254V	T4	85	-20 to +40	5.3kg
ST2N/236/BI/EM	2x36W	220V-254V	T4	85	-20 to +40	5.6kg
ST2N/158/BI/EM	1x58W	220V-254V	T4	85	-20 to +40	5.7kg
ST2N/258/BI/EM	2x58W	220V-254V	T4	85	-20 to +40	6.1kg

Options – Suffix to Catalogue No.

/120	110-130V 50/60Hz AC (Note: Upper ambient, limit of +30°C)	/NM	Non maintained version (Single lamp version only)
/MF	Mains fuse	/BMT	Battery management test



	2x18W	1x36W / 2x36W	1x58W / 2x58W
A	702	1312	1612
B	500	800	1100
C	172	102 / 172	102 / 172
D	106	106	106

Accessories Should be ordered separately

Catalogue Order Code

Pole mounting bracket assembly (38-42mm diameter poles)	SPOL4-100004
Pole mounting bracket assembly (48-52mm diameter poles)	SPOL4-100005
Pole mounting bracket assembly (58-62mm diameter poles)	SPOL4-100006
Hook type ceiling bracket assembly	S3004-100003
Ceiling bracket assembly	S3004-100001
Flush mounting wall bracket assembly	S3004-100004
18W wall mounting outreach bracket (use with SPOL4-100004)	NPRO4-0008
36W wall mounting outreach bracket (use with SPOL4-100004)	NPRO4-0012
58W wall mounting outreach bracket (use with SPOL4-100004)	NPRO4-0022



The Sterling II is also available in a stainless steel body version. This incorporates the same design and protection features found in the GRP body Sterling II. The increased durability of its stainless steel construction makes this luminaire ideal for applications where there is a high risk of mechanical damage or exposure to chemical agents.

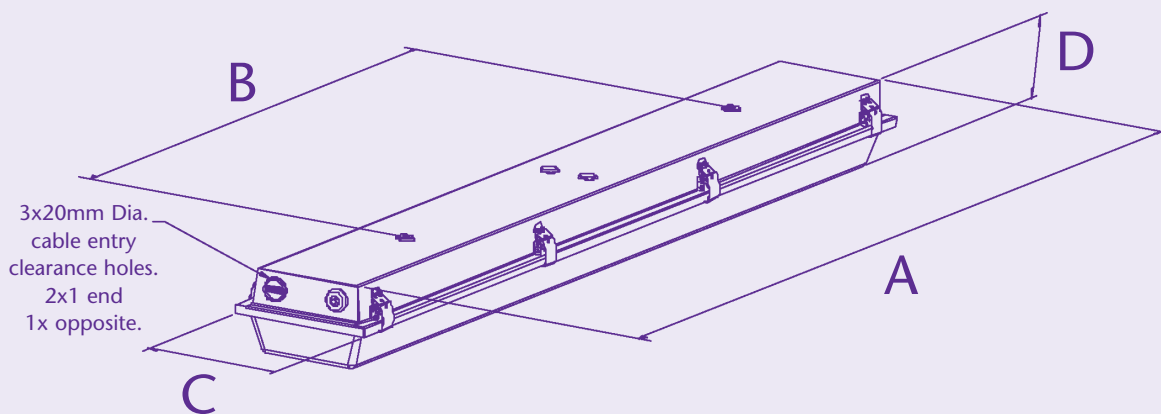
Standard Specification		Features
Type of Protection	Ex nA (Non-sparking)	Marine grade stainless steel body and polycarbonate diffuser
ATEX Classification	Group II Category 3 GD	
Area Classification	Zone 2 and Zone 22 areas to EN 60079-10-1 and EN 60079-10-2 with installation to EN 60079-14	Mains connection terminals fixed to body
Certificate	Type Examination Certificate Sira 06ATEX4348X IEC Ex SIR06.0108X	Gear tray suspended and fitted with control gear for ease of maintenance
Coding	Ⓔ II 3 GD Ex nA II T4 (refer to table for T rating and Ambient)	High frequency control gear gives 50/60Hz operation, high power factor correction and regulation of lamp output.
Enclosure	Marine grade 316S31 stainless steel body with polycarbonate diffuser and stainless steel retaining clips	
Reflector	White polyester painted zinc coated steel	International Approvals
Entry	3 x 20mm diameter holes, 2 at one end and 1 at the other end	
Termination	3 core 4mm ² max. conductor with looping and through wiring 16A rating	
Installation	Two clearance holes for M8 fasteners located on rear of body, sealing washers provided	
Control Gear	High Frequency ballast	
Relamping	Access via front diffuser secured by quick release stainless steel clips	
Burning Position	Universal	
Ingress Protection	IP65 to EN 60529	
Electrical Supply	220-254V 50/60Hz (AC/DC)	
		IECEx Compliant

Std. Cat No.	Wattage	TClass(Gas)	T°(Dust)	Ambient °C	Weight
SS2N/218/BI	2x18W	T4	85	-20 to +45	3.6kg
SS2N/136/BI*	1x36W	T4	85	-20 to +45	4.2kg
SS2N/236/BI	2x36W	T4	85	-20 to +45	4.8kg
SS2N/158/BI*	1x58W	T4	85	-20 to +45	6.1kg
SS2N/258/BI	2x58W	T4	85	-20 to +45	6.5kg

* Single lamp versions are in twin bodies.

Options – Suffix to Catalogue No.

/120	110-130V 50/60Hz AC (Note: Upper ambient, limit of +30°C)	/CM	Body c/w ceiling mounting brackets
/MF	Mains fuse	/TE	Threaded entry pads
/25	3 x 25mm cable entries	/EB	End mounting brackets attached



	2x18W	1x36W / 2x36W	1x58W / 2x58W
A	700	1312	1612
B	500	800	1100
C	172	172	172
D	106	106	106

Accessories Should be ordered separately

Catalogue Order Code

Pole mounting bracket assembly (38-42mm diameter poles)	SPOL4-100004
Pole mounting bracket assembly (48-52mm diameter poles)	SPOL4-100005
Pole mounting bracket assembly (58-62mm diameter poles)	SPOL4-100006
Hook type ceiling bracket assembly	S3004-100003
Ceiling bracket assembly	S3004-100001
Flush mounting wall bracket assembly	S3004-100004
18W wall mounting outreach bracket (use with SPOL4-100004)	NPRO4-0008
36W wall mounting outreach bracket (use with SPOL4-100004)	NPRO4-0012
58W wall mounting outreach bracket (use with SPOL4-100004)	NPRO4-0022

STERLING II E STAINLESS EMERGENCY Ex n FLUORESCENT

76



The Sterling II Emergency is also available in a stainless steel body version. This incorporates the same design and protection features found in the GRP body Sterling II. The increased durability of its stainless steel construction makes this luminaire ideal for applications where there is a high risk of mechanical damage or exposure to chemical agents.

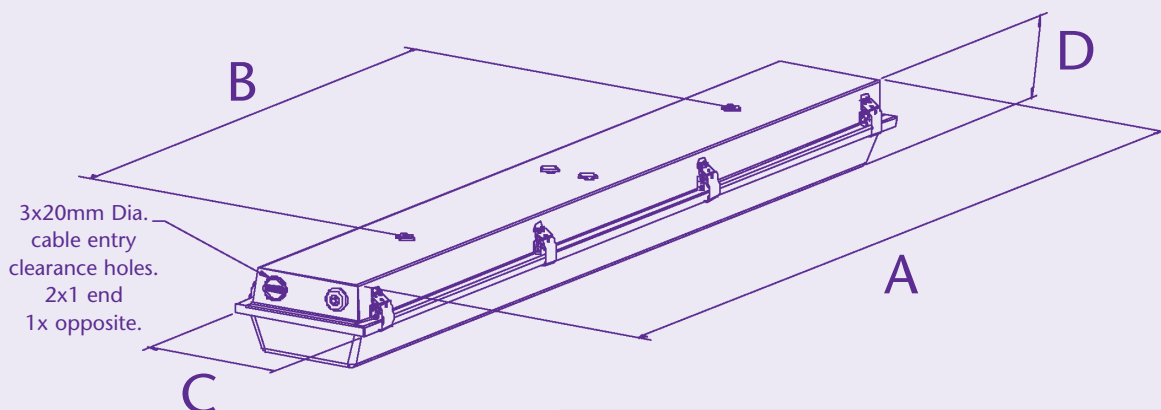
Standard Specification		Features
Type of Protection	Ex nA (Non-sparking)	Marine grade stainless steel body and polycarbonate diffuser
ATEX Classification	Group II Category 3 GD	
Area Classification	Zone 2 and Zone 22 areas to EN 60079-10-1 and EN 60079-10-2 with installation to EN 60079-14	Mains connection terminals fixed to body
Certificate	Type Examination Certificate Sira 06ATEX4348X IEC Ex SIR06.0108X	Gear tray suspended and fitted with control gear for ease of maintenance
Coding	⊕ II 3 GD Ex nA II T4 (refer to table for T rating and Ambient)	High frequency control gear gives 50/60Hz operation, high power factor correction and regulation of lamp output.
Enclosure	Marine grade 316S31 stainless steel body with polycarbonate diffuser and stainless steel retaining clips	Long life nickel cadmium batteries
Reflector Entry	White polyester painted zinc coated steel 3 x 20mm diameter holes, 2 at one end and 1 at the other end	Switchable mains supply for local operation
Termination	4 core 4mm ² max. conductor with looping and through wiring 16A rating	LED charge indicator
Installation	Two clearance holes for M8 fasteners located on rear of body, sealing washers provided	International Approvals
Control Gear Relamping	High Frequency ballast, electronic inverter Access via front diffuser secured by quick release stainless steel clips	
Burning Position	Universal	ATEX IECEx Compliant
Ingress Protection	IP65 to EN 60529	
Electrical Supply	220-254V 50/60Hz	
Battery Duration	6V, 4Ah internal Ni-Cad 3 hours	
Emergency Output	18W 32% of one lamp, 36W 14% of one lamp, 58W 9% of one lamp	

Std. Cat No.	Wattage	TClass(Gas)	T°(Dust)	Ambient °C	Weight
SS2N/218/BI/EM	2x18W	T4	85	-20 to +40	4.6kg
SS2N/136/BI/EM*	1x36W	T4	85	-20 to +40	5.3kg
SS2N/236/BI/EM	2x36W	T4	85	-20 to +40	5.6kg
SS2N/158/BI/EM*	1x58W	T4	85	-20 to +40	5.7kg
SS2N/258/BI/EM	2x58W	T4	85	-20 to +40	6.1kg

* Single lamp versions are in twin bodies.

Options – Suffix to Catalogue No.

/120	110-130V 50/60Hz AC (Note: Upper ambient, limit of +30°C)	/CM	Body c/w ceiling mounting brackets
/NM	Non-maintained (single lamp version only)	/TE	Threaded entry pads
/MF	Mains fuse	/EB	End mounting brackets attached
/25	3 x 25mm cable entries	/BMT	Battery management test



	2x18W	1x36W / 2x36W	1x58W / 2x58W
A	700	1312	1612
B	500	800	1100
C	172	172	172
D	106	106	106

Accessories Should be ordered separately

Catalogue Order Code

Pole mounting bracket assembly (38-42mm diameter poles)	SPOL4-100004
Pole mounting bracket assembly (48-52mm diameter poles)	SPOL4-100005
Pole mounting bracket assembly (58-62mm diameter poles)	SPOL4-100006
Hook type ceiling bracket assembly	S3004-100003
Ceiling bracket assembly	S3004-100001
Flush mounting wall bracket assembly	S3004-100004
18W wall mounting outreach bracket (use with SPOL4-100004)	NPRO4-0008
36W wall mounting outreach bracket (use with SPOL4-100004)	NPRO4-0012
58W wall mounting outreach bracket (use with SPOL4-100004)	NPRO4-0022



The Sterling II is a high quality but cost effective fluorescent. Its lightweight and slimline construction make it simple to install and maintain.

The luminaire has copper and iron control gear and is available with single and twin lamp versions.

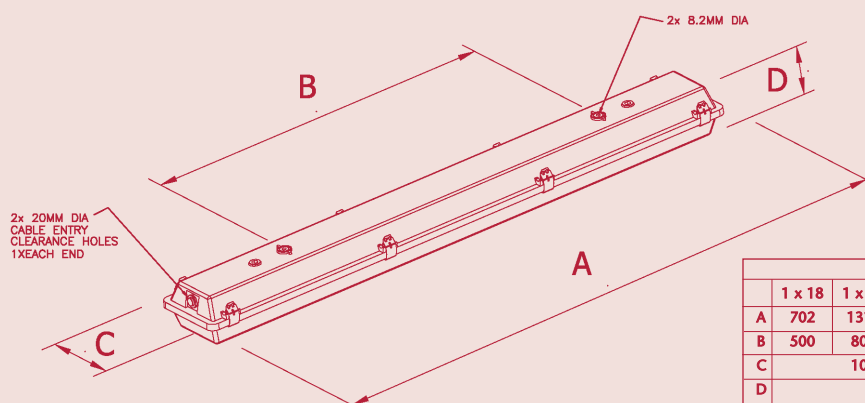
Standard Specification		Features
Ingress Protection	IP65 to EN60529	Robust polycarbonate diffuser with stainless steel clips as standard
Enclosure	GRP body with clear polycarbonate diffuser Stainless steel retaining clips	
Entries	2 x 20mm clearance holes (one either end)	Simple to install and maintain
Termination	4 core 4mm ² max conductors	Lightweight and slim line construction
Reflector/Gear-tray	White polyester painted zinc coated steel	
Mounting	8mm clearance holes, sealing washers are provided	
Control Gear	Copper & Iron switch start ballast	
Relamping	Access via front diffuser secured by quick release stainless steel clips	
Electrical Supply	240V 50Hz	
Battery	Ni-Cd (6V)	
Duration	3 Hours	
Emergency Output	32% of one lamp (18W) 14% of one lamp (36W) 9% of one lamp (58W)	

Std. Cat No.	Wattage	Voltage	Lamp Type	Lampholder	Weight
ST2I/118/BI	1x18W	240V 50Hz	T8 Fluorescent	G13	2.5kg
ST2I/218/BI	2x18W	240V 50Hz	T8 Fluorescent	G13	3.2kg
ST2I/136/BI	1x36W	240V 50Hz	T8 Fluorescent	G13	3.6kg
ST2I/236/BI	2x36W	240V 50Hz	T8 Fluorescent	G13	4.2kg
ST2I/158/BI	1x58W	240V 50Hz	T8 Fluorescent	G13	4.2kg
ST2I/258/BI	2x58W	240V 50Hz	T8 Fluorescent	G13	5.1kg
ST2I/118/BI/EM*	1x18W	240V 50Hz	T8 Fluorescent	G13	4.8kg
ST2I/218/BI/EM	2x18W	240V 50Hz	T8 Fluorescent	G13	5.2kg
ST2I/136/BI/EM*	1x36W	240V 50Hz	T8 Fluorescent	G13	5.6kg
ST2I/236/BI/EM	2x36W	240V 50Hz	T8 Fluorescent	G13	6.1kg
ST2I/158/BI/EM*	1x58W	240V 50Hz	T8 Fluorescent	G13	5.7kg
ST2I/258/BI/EM	2x58W	240V 50Hz	T8 Fluorescent	G13	7.1kg

* Emergency single lamp models are in twin lamp bodies

Options – Suffix to Catalogue No.

/NM	Non maintained emergency version (single lamp bodies only)	/T	Through wired
/MF	Mains fuse	/ES	Electronic starter
		/EA	External earth



Accessories should be ordered separately

Catalogue Order Code

Pole mounting bracket assembly (38-42mm diameter poles)	SPOL4-100004
Pole mounting bracket assembly (48-52mm diameter poles)	SPOL4-100005
Pole mounting bracket assembly (58-62mm diameter poles)	SPOL4-100006
Hook type ceiling bracket assembly	S3004-100003
Ceiling bracket assembly	S3004-100001
Flush mounting wall bracket assembly	S3004-100004
18W wall mounting outreach bracket (use with SPOL4-100004)	NPRO4-0008
36W wall mounting outreach bracket (use with SPOL4-100004)	NPRO4-0012
58W wall mounting outreach bracket (use with SPOL4-100004)	NPRO4-0022

Product design and specifications are subject to change without notice, please check the Chalmit website for latest specifications.



The Sterling II H/F features the same lightweight design but incorporates high frequency electronic control gear.

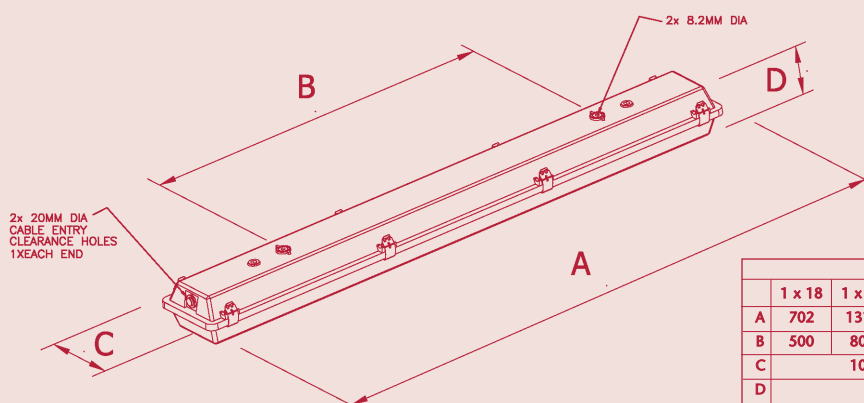
Standard Specification		Features
Ingress Protection	IP65 to EN60529	Robust polycarbonate diffuser with stainless steel clips as standard
Enclosure	GRP body with clear polycarbonate diffuser Stainless Steel retaining clips	
Entries	2 x 20mm clearance holes (one either end)	High frequency control gear gives 50/60Hz operation, high power factor correction and regulation of lamp output
Termination	4 core 4mm ² max conductors	
Reflector/Gear-tray	White polyester painted zinc coated steel	Simple to install and maintain
Mounting	8mm clearance holes, sealing washers are provided	Lightweight and slim line construction
Control Gear	High frequency electronic ballast	
Relamping	Access via front diffuser secured by quick release stainless steel clips	
Electrical Supply	Non-emergency version - 120V-254V 50/60Hz 175V-270V DC Emergency version - 220-254V 50/60Hz	
Battery	Ni-Cd (6V)	
Duration	3 Hours	
Emergency Output	32% of one lamp (18W) 14% of one lamp (36W) 9% of one lamp (58W)	

Std. Cat No.	Wattage	Voltage	Lamp Type	Lampholder	Weight
ST2I/118/BI/HF	1x18W	120V-254V 50/60Hz	T8 Fluorescent	G13	2.3kg
ST2I/218/BI/HF	2x18W	120V-254V 50/60Hz	T8 Fluorescent	G13	2.6kg
ST2I/136/BI/HF	1x36W	120V-254V 50/60Hz	T8 Fluorescent	G13	3.3kg
ST2I/236/BI/HF	2x36W	120V-254V 50/60Hz	T8 Fluorescent	G13	3.6kg
ST2I/158/BI/HF	1x58W	120V-254V 50/60Hz	T8 Fluorescent	G13	3.7kg
ST2I/258/BI/HF	2x58W	120V-254V 50/60Hz	T8 Fluorescent	G13	4.1kg
ST2I/118/BI/EM/HF*	1x18W	220V-254V 50/60Hz	T8 Fluorescent	G13	4.3kg
ST2I/218/BI/EM/HF	2x18W	220V-254V 50/60Hz	T8 Fluorescent	G13	4.6kg
ST2I/136/BI/EM/HF*	1x36W	220V-254V 50/60Hz	T8 Fluorescent	G13	5.3kg
ST2I/236/BI/EM/HF	2x36W	220V-254V 50/60Hz	T8 Fluorescent	G13	5.6kg
ST2I/158/BI/EM/HF*	1x58W	220V-254V 50/60Hz	T8 Fluorescent	G13	5.7kg
ST2I/258/BI/EM/HF	2x58W	220V-254V 50/60Hz	T8 Fluorescent	G13	6.1kg

* Emergency single lamp models are in twin lamp bodies

Options – Suffix to Catalogue No.

/120	110-130V 50/60Hz High frequency ballast (Emergency version only)	/MF	Mains fuse
/NM	Non maintained emergency version (single lamp bodies only)	/T	Through wired
		/EA	External earth



Accessories should be ordered separately

Catalogue Order Code

Pole mounting bracket assembly (38-42mm diameter poles)	SPOL4-100004
Pole mounting bracket assembly (48-52mm diameter poles)	SPOL4-100005
Pole mounting bracket assembly (58-62mm diameter poles)	SPOL4-100006
Hook type ceiling bracket assembly	S3004-100003
Ceiling bracket assembly	S3004-100001
Flush mounting wall bracket assembly	S3004-100004
18W wall mounting outreach bracket (use with SPOL4-100004)	NPRO4-0008
36W wall mounting outreach bracket (use with SPOL4-100004)	NPRO4-0012
58W wall mounting outreach bracket (use with SPOL4-100004)	NPRO4-0022

Product design and specifications are subject to change without notice, please check the Chalmit website for latest specifications.



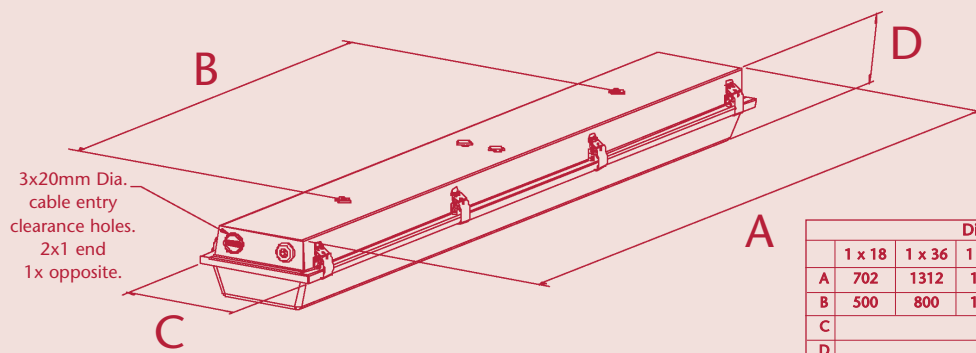
The Sterling II is also available in a stainless steel body version. This incorporates the same design and protection features found in the GRP body Sterling II. The increased durability of its stainless steel construction makes this luminaire ideal for applications where there is a high risk of mechanical damage or exposure to chemical agents.

Standard Specification		Features
Ingress Protection	IP65 to EN60529	Marine grade stainless steel body and polycarbonate diffuser 3 clips per side on 18W, 4 on 36W and 5 on 58W Mains connection terminals fixed to body Gear tray suspended and fitted with control gear for ease of maintenance
Enclosure	Marine grade 316S31 stainless steel body, clear polycarbonate diffuser & quick release stainless steel clips	
Reflector/Geartray	White epoxy polyester coated steel	
Entries	3 x 20mm entries (2 at one end, 1 at other end)	
Termination	Looping & through wiring for 3 core 4mm ² conductors (4 core on Emergency models)	
Installation	Access via two 8mm holes on rear of body	
Control Gear	Copper & iron switchstart ballast	
Relamping	Via quick release stainless steel clips	
Electrical Supply	240V 50Hz (Always state V/Hz when ordering)	
Battery	Ni-Cd (6V)	
Duration	3 Hours	
Emergency Output	32% of one lamp (18W) 14% of one lamp (36W) 9% of one lamp (58W)	

Std. Cat No.	Wattage	Lamp Type	Lampholder	Weight
SS2I/118/BI	1x18W	T8 Fluorescent	G13	4.2kg
SS2I/218/BI	2x18W	T8 Fluorescent	G13	3.6kg
SS2I/136/BI	1x36W	T8 Fluorescent	G13	4.2kg
SS2I/236/BI	2x36W	T8 Fluorescent	G13	4.8kg
SS2I/158/BI	1x58W	T8 Fluorescent	G13	6.1kg
SS2I/258/BI	2x58W	T8 Fluorescent	G13	6.5kg
SS2I/118/BI/EM	1x18W	T8 Fluorescent	G13	7.0kg
SS2I/218/BI/EM	2x18W	T8 Fluorescent	G13	6.4kg
SS2I/136/BI/EM	1x36W	T8 Fluorescent	G13	7.0kg
SS2I/236/BI/EM	2x36W	T8 Fluorescent	G13	7.6kg
SS2I/158/BI/EM	1x58W	T8 Fluorescent	G13	8.9kg
SS2I/258/BI/EM	2x58W	T8 Fluorescent	G13	9.3kg

Options – Suffix to Catalogue No.

/ES	Electronic start (copper & iron ballast only)	/60	60Hz supply (copper/iron ballasts only)
/___	Specific voltage: 120V Emergency only (if 120V non-emergency is required, a High Frequency (HF) version is available)	/M25	M25 cable entries
		/CM	Body c/w ceiling mounting brackets



	Dimensions					
	1 x 18	1 x 36	1 x 58	2 x 18	2 x 36	2 x 58
A	702	1312	1612	702	1312	1612
B	500	800	1100	500	800	1100
C	172					
D	106					

Accessories Should be ordered separately

Catalogue Order Code

Pole mounting bracket assembly (38-42mm diameter poles)	SPOL4-100004
Pole mounting bracket assembly (48-52mm diameter poles)	SPOL4-100005
Pole mounting bracket assembly (58-62mm diameter poles)	SPOL4-100006
Hook type ceiling bracket assembly	S3004-100003
Ceiling bracket assembly	S3004-100001
Flush mounting wall bracket assembly	S3004-100004
18W wall mounting outreach bracket (use with SPOL4-100004)	NPRO4-0008
36W wall mounting outreach bracket (use with SPOL4-100004)	NPRO4-0012
58W wall mounting outreach bracket (use with SPOL4-100004)	NPRO4-0022

Product design and specifications are subject to change without notice, please check the Chalmit website for latest specifications.



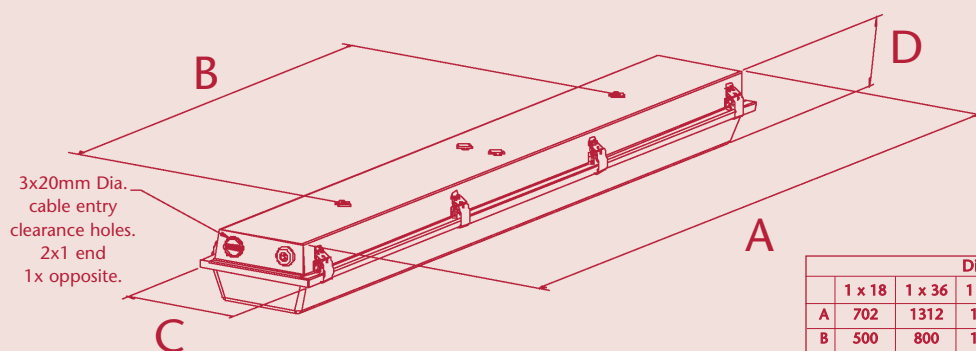
The Sterling II H/F is also available in a stainless steel body version. This incorporates the same design and protection features found in the GRP body Sterling II. The increased durability of its stainless steel construction makes this luminaire ideal for applications where there is a high risk of mechanical damage or exposure to chemical agents.

Standard Specification		Features
Ingress Protection	IP65 to EN60529	Marine grade stainless steel body and polycarbonate diffuser
Enclosure	Marine grade 316S31 stainless steel body, clear polycarbonate diffuser & quick release stainless steel clips	
Reflector/Geartray	White epoxy polyester coated steel	High frequency control gear gives 50/60Hz operation, high power factor correction and regulation of lamp output
Entries	3 x 20mm entries (2 at one end, 1 at other end)	Mains connection terminals fixed to body
Termination	Looping & through wiring for 3 core 4mm ² conductors (4 core on Emergency models)	Gear tray suspended and fitted with control gear for ease of maintenance
Installation	Access via two 8mm holes on rear of body	
Control Gear	High frequency electronic control gear	
Relamping	Via quick release stainless steel clips	
Electrical Supply	240V 50Hz (Always state V/Hz when ordering)	
Battery	Ni-Cd (6V)	
Duration	3 Hours	
Emergency Output	32% of one lamp (18W) 14% of one lamp (36W) 9% of one lamp (58W)	

Std. Cat No.	Wattage	Lamp Type	Lampholder	Weight
SS2I/118/BI/HF	1x18W	T8 Fluorescent	G13	4.2kg
SS2I/218/BI/HF	2x18W	T8 Fluorescent	G13	3.6kg
SS2I/136/BI/HF	1x36W	T8 Fluorescent	G13	4.2kg
SS2I/236/BI/HF	2x36W	T8 Fluorescent	G13	4.8kg
SS2I/158/BI/HF	1x58W	T8 Fluorescent	G13	6.1kg
SS2I/258/BI/HF	2x58W	T8 Fluorescent	G13	6.5kg
SS2I/118/BI/EM/HF	1x18W	T8 Fluorescent	G13	7.0kg
SS2I/218/BI/EM/HF	2x18W	T8 Fluorescent	G13	6.4kg
SS2I/136/BI/EM/HF	1x36W	T8 Fluorescent	G13	7.0kg
SS2I/236/BI/EM/HF	2x36W	T8 Fluorescent	G13	7.6kg
SS2I/158/BI/EM/HF	1x58W	T8 Fluorescent	G13	8.9kg
SS2I/258/BI/EM/HF	2x58W	T8 Fluorescent	G13	9.3kg

Options – Suffix to Catalogue No.

/120	110-130V Emergency only (if 120V non-emergency is required, a High Frequency (HF) version is available)	/M25	M25 cable entries
		/CM	Body c/w ceiling mounting brackets



	Dimensions					
	1 x 18	1 x 36	1 x 58	2 x 18	2 x 36	2 x 58
A	702	1312	1612	702	1312	1612
B	500	800	1100	500	800	1100
C	172					
D	106					

Accessories Should be ordered separately

Catalogue Order Code

Pole mounting bracket assembly (38-42mm diameter poles)	SPOL4-100004
Pole mounting bracket assembly (48-52mm diameter poles)	SPOL4-100005
Pole mounting bracket assembly (58-62mm diameter poles)	SPOL4-100006
Hook type ceiling bracket assembly	S3004-100003
Ceiling bracket assembly	S3004-100001
Flush mounting wall bracket assembly	S3004-100004
18W wall mounting outreach bracket (use with SPOL4-100004)	NPRO4-0008
36W wall mounting outreach bracket (use with SPOL4-100004)	NPRO4-0012
58W wall mounting outreach bracket (use with SPOL4-100004)	NPRO4-0022

Product design and specifications are subject to change without notice, please check the Chalmit website for latest specifications.