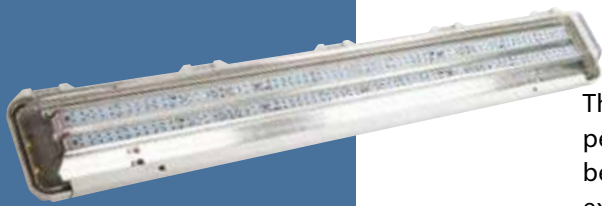


ZONE 1 ZONE 21

PROTECTA III



The **Protecta III** LED linear delivers to the Industry unparalleled performance and photometry bringing forward all the recognised benefits of the Protecta range; a proven robust enclosure, excellent IP and low maintenance features which are key to the oil and gas industry.

Expected useful life to 70% of the initial lumens (L70) is a market leading 120,000 hours at 25°C. With fully replaceable LED strips and driver we deliver a unique product with effective long term maintenance capability.

Mounting Options

- Ceiling
- Wall
- Suspended
- Pole

Standard Specification

Protecta Ex e LED Linear

Type of Protection	Ex e mb op is q IIC T4 Gb (Increased Safety, Encapsulation, Powder filling)
ATEX Classification	Group II Category 2 GD
Area Classification	Zone 1 and 21 areas to EN 60079-10-1 and EN 60079-10-2 with installation to EN 60079-14
Certificate	EC Type Examination Certificate Baseefa04ATEX0220 IECEX Certificate of Conformity IECEX BAS09.0017
Coding	Ex e mb op is q IIC T4 Gb Ex tb IIIC T95°C Db IP6X
Enclosure	GRP body with polycarbonate cover
Geartray	Aluminium
Entry	4 x M20 cable entries - 2 at each end
Termination	3 core 4mm ² max conductor with looping and 16A rating through wiring (4 core on Emergency)
Installation	2 x M8 moulded-in stainless steel bushes located on the rear of the body
Control Gear	Electronic Driver
Colour Temperature (CCT)	6000K (Cool Daylight)
Maintenance	Quick release diffuser clamp and hinged cover
Battery	Internal Ni-Cd (6V) (Emergency version only)
Emergency Duration	90 mins (30% output)
Ingress Protection	IP66/67 to EN 60529
Surge Protection	4kV
Electrical Supply	220-254V AC, 50/60Hz

International Approvals



Chalmit®

LED SOLUTIONS

For Harsh & Hazardous Locations



Features

- ◆ Highly **Energy Efficient**
- ◆ Full length **easy access** diffuser clamp
- ◆ **Screwless** mains terminals
- ◆ **120,000** maintenance free hours at 25°C (L70)
- ◆ **DTS-01** deluge tested
- ◆ **Retrofit** geartray available

Product design and specifications are subject to change without notice. Please check the Chalmite website for latest specifications. www.chalmite.com



MADE IN BRITAIN

Std. Cat No.	Delivered Output	Power Consumption	TClass	T°C (Dust)	Ambient °C	Weight
PRGE/02L/LE	2178 lm	30W	T4	95	-40 to +55	7.9kg
PRGE/05L/LE	4607 lm	60W	T4	95	-40 to +55	11.5kg
PRGE/02L/LE/EM	2178 lm	32W	T4	95	-25 to +55	8.9kg
PRGE/05L/LE/EM	4607 lm	64W	T4	95	-25 to +55	13.0kg

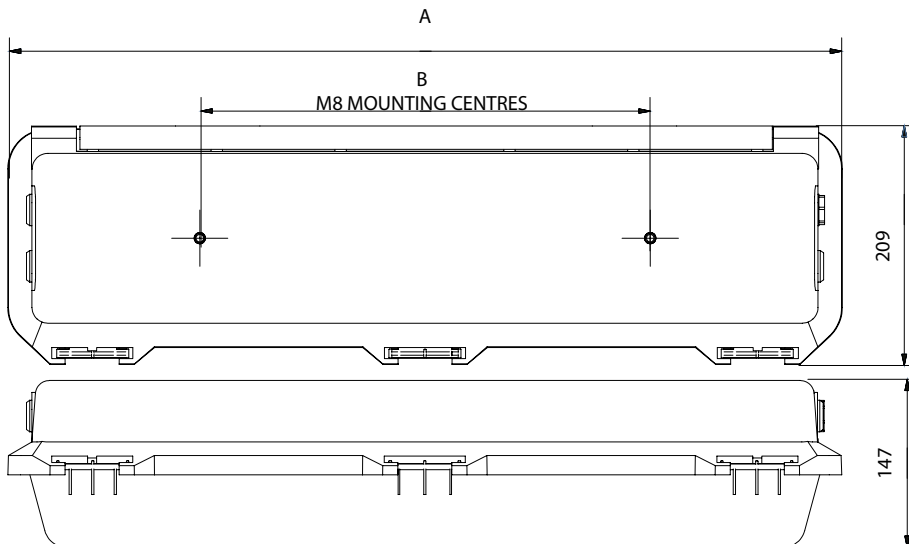
Note: Installed Protecta III fluorescents can be upgraded to LED by ordering Retrofit Geartray PRRE (see PRRE data sheet)

Options - Suffix to Catalogue No.			
/M25	M25 cable entries	/3H	3 hour battery duration (15% output)
/LBE	Looping both sides	/4K	4000K (Neutral White) LED Strips
/EL	Extra live termination facility (to match emergency circuit)	/SC	Screwed connection terminal block (up to 6mm ² conductors)
/120	Specific voltage (110-130V)	/LT	Low temperature version (Emergency ambient becomes -40°C to +55°C)**
/GIS	Geartray isolation switch (Gas coding becomes - Ex d e mb q IIC)	/LTT	Low temperature version with battery temperature regulator (Emergency ambient becomes -40°C to +45°C)
/OD	Opaque diffuser (reduces maximum ambient to +45°C)	/BP	Brass plugs
		/SE	Spigot entry (standard model only)

** /LT is optional on standard model to minimise ice build-up.

Accessories Accessories should be ordered separately

	Order Code
Pole mounting bracket assembly (38/42 diameter poles)	SPOL4-100001
Pole mounting bracket assembly (48/52 diameter poles)	SPOL4-100002
Pole mounting bracket assembly (58/62 diameter poles)	SPOL4-100003
Hook type ceiling bracket assembly	SPRO4-0005
Flush mounted wall bracket assembly	SPRO4-0006
Ceiling bracket assembly	SPRO4-0002
Standard 2ft wall mounting outreach bracket (use with SPOL4-100001)	NPRO4-0008
Standard 4ft wall mounting outreach bracket (use with SPOL4-100001)	NPRO4-0012
Eyebolt mounting assembly	SPRO5-0005



DIM	02L	05L
DIM A	742	1352
DIM B	400	700



LED SOLUTIONS
For Harsh & Hazardous Locations



PROTECTA III

RETROFIT LED GEARTRAY



The **Protecta III LED Geartray** is a unique solution to upgrade and utilise the very latest LED technology in existing Protecta III fluorescents.

Complete with LED strips and electronic driver, the geartray can be easily retro-fitted into the Protecta III GRP enclosure in a matter of minutes.

The robust enclosure is not compromised as it remains unchanged and all existing cabling and glanding can remain in place offering significant installation cost savings when upgrading to LED.

Standard Specification

Protecta Ex e LED Linear Fluorescent Replacement

Type of Protection*	Ex e mb op is q IICT4 Gb (Increased Safety Encapsulation, Powder filling)
ATEX Classification*	Group II Category 2 GD
Area Classification*	Zone 1 and 21 areas to EN 60079-10-1 and EN 60079-10-2 with installation to EN 60079-14
Certificate*	EC Type Examination Certificate Baseefa04ATEX0220 IECEX Certificate of Conformity IECEx BAS09.0017
Coding*	Ex e mb op is q IICT4 Gb Ex tb IIIC T95°C Db IP6X
Geartray	Aluminium
Installation	Fix to existing GRP body - refer to IOM
Control Gear	Electronic Driver
Colour Temperature (CCT)	6000K (Cool Daylight)
Maintenance	Components accessible on geartray
Battery	Internal Ni-Cd (6V) (Emergency only)
Emergency Duration	90 mins (30% output)
Ingress Protection*	IP66/67 to EN 60529
Surge Protection	4kV
Electrical Supply	220-254V AC, 50/60Hz

* Only applicable once installed in Protecta III GRP enclosure

Features

- ◆ Highly **Energy Efficient**
- ◆ **120,000** maintenance free hours @ 25°C (L70)
- ◆ **Simple upgrade** of existing fluorescents



International Approvals



LED SOLUTIONS

For Harsh & Hazardous Locations



Product design and specifications are subject to change without notice. Please check the Chalmit website for latest specifications. www.chalmit.com



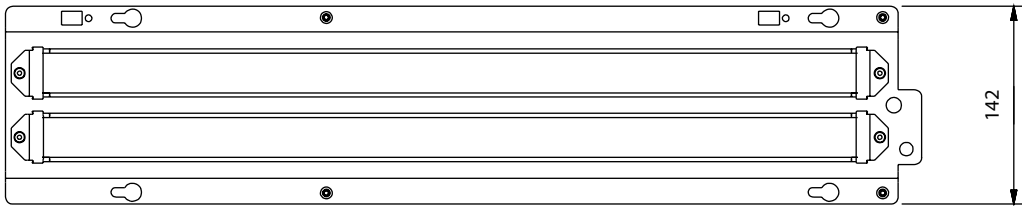
MADE IN BRITAIN

Std. Cat No.	Delivered Output	Power Consumption	Ambient °C	Weight
PRRE/02L/LE	2178 lm	30W	-40 to +55	5.0kg
PRRE/05L/LE	4607 lm	60W	-40 to +55	6.0kg
PRRE/02L/LE/EM	2178 lm	32W	-25 to +55	6.0kg
PRRE/05L/LE/EM	4607 lm	64W	-25 to +55	7.5kg

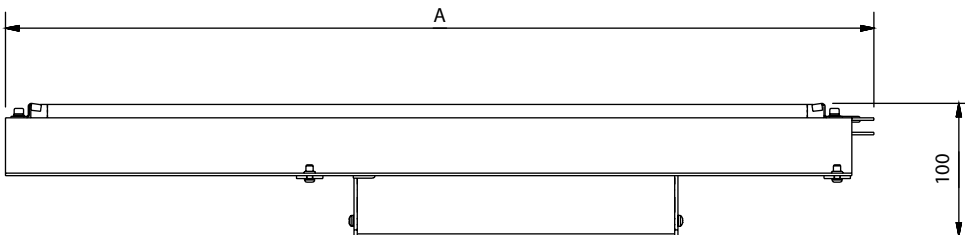
Options - Suffix to Catalogue No.

/120	Specific voltage (110-130V)	/4K	4000K (Neutral White) LED Strips
/3H	3 hour battery duration (15% output)	/LT	Low temperature version (Emergency ambient becomes -40°C to +55°C)**
/OD	Opaque diffuser (reduces maximum ambient to +45°C)	/LTT	Low temperature version with battery temperature regulator (Emergency ambient becomes -40°C to +45°C)

** /LT is optional on standard model to minimise ice build-up.



DIM	02L	05L
A	657	1261



LED SOLUTIONS

For Harsh & Hazardous Locations



PROTECTA III

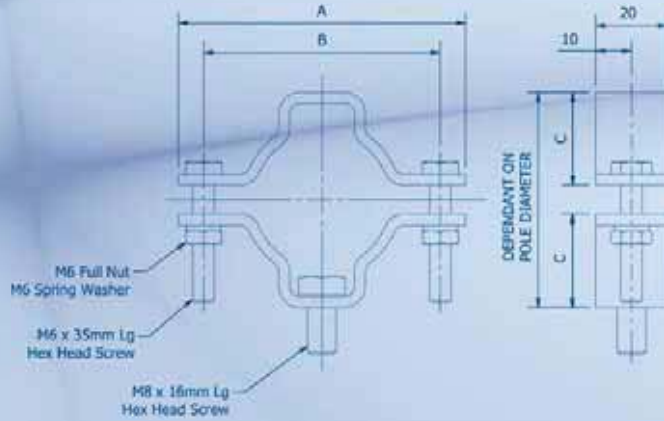
28

Pole Mounting Bracket Assembly

Cat No. SPOL4-100001/100002/100003



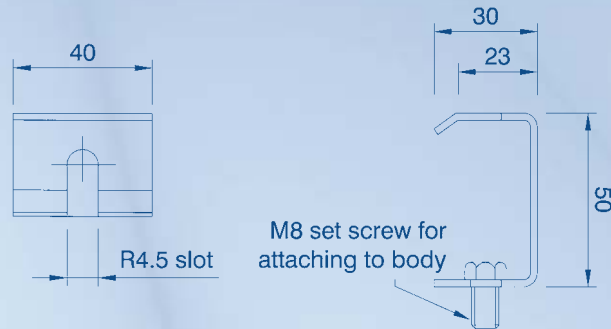
Pole mounting bracket to suit pole diameter
 (38-42mm) SPOL4-100001
 (48-52mm) SPOL4-100002
 (58-62mm) SPOL4-100003



PART DETAILS				
Part Code	Part Description	A	B	C
SPOL4-100001	PROTECTA 38-42 P/M ASSY	80mm	66mm	26mm
SPOL4-100002	PROTECTA 48-52 P/M ASSY	90mm	76mm	32mm
SPOL4-100003	PROTECTA 58-62 P/M ASSY	96mm	80mm	38mm

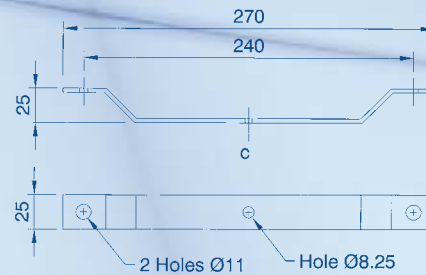
Hook Type Ceiling Bracket Assembly

Cat No. SPRO4-0005



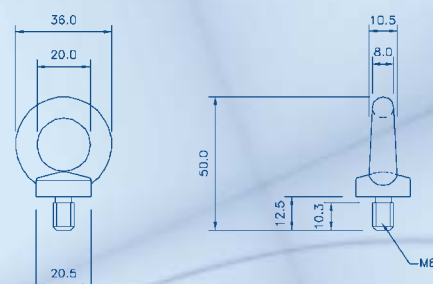
Ceiling Mounting Bracket Assembly

Cat No. SPRO4-0002



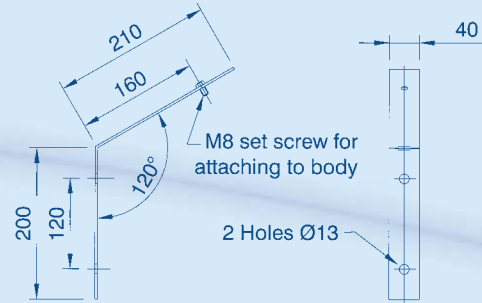
Eyelet Mounting Assembly

Cat No. SPRO5-0005



Flush Mounting Wall Bracket Assembly

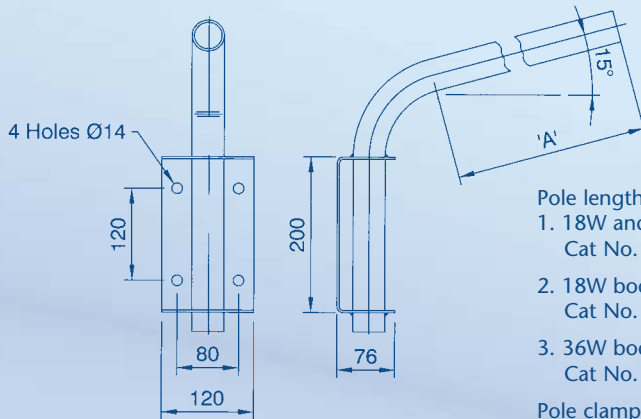
Cat No. SPRO4-0006



Note: All brackets are made from 316 Stainless Steel

Wall Mounting Outreach Bracket

Cat No. NPRO4-0007/0008/0012



Pole length 'A' for use with the following:

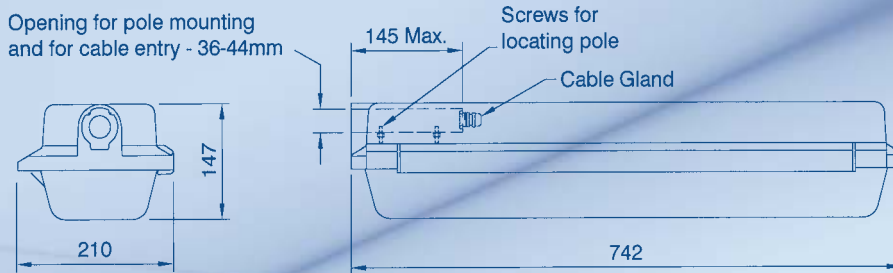
1. 18W and 36W spigot entry body, size 'A' = 250mm
Cat No. NPRO4-0007
2. 18W body c/w pole clamps (SPOL4-100001), size 'A' = 650mm
Cat No. NPRO4-0008
3. 36W body c/w pole clamps, (SPOL4-100001) size 'A' = 1100mm
Cat No. NPRO4-0012

Pole clamps for items 2 & 3 must be ordered separately, see SPOL4-100001



18W Spigot Entry

Cat No. PRGE/218/B/SE



36W Spigot Entry

Cat No. PRGE/236/B/SE

